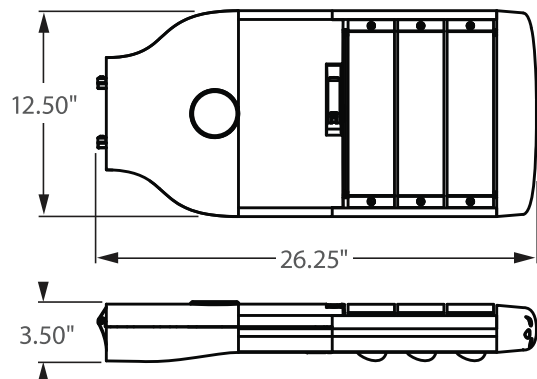




**** AVAILABLE ****



Incredible **75,000 hrs**

GENERAL DESCRIPTION

Neptun's Modular LED Street Light fixtures combine architectural form and versatility to make it an excellent choice for new construction or retrofit applications. The LED-89 series fixture is offered in a variety of wattages to provide maximum flexibility in all types of applications. Custom engineered optics provide excellent uniformity and efficiency. It can replace existing HID & HPS fixtures up to 250W.

APPLICATION

- Street Lighting
- Pathway Lighting
- Parking Lot Lighting
- Security Lighting
- Storage Area Lighting

STRUCTURE, MATERIALS, & FEATURES

- Heavy-gauge, die-cast aluminum housing with excellent thermal management.
- Corrosion resistant polyester powder finish (custom colors available).
- Slim, state of the art, low profile design for minimum wind load resistance.
- Tool-Less entry housing for easy maintenance and installation.
- Continuous silicone gasket surrounds lens for IP68 weather tight seal.
- Optional NEMA Twistlock Photocell for increased energy savings.
- Modular High Output design with Cree LED Chips.
- Driver with built in Neptun Surge Protective Device (NSPD) provides single phase protection for Line/Neutral, Line/Ground, and Neutral/Ground in accordance with IEEE C62.41 C High (10kV & 10kA).
- InstantON flicker-free Cold Start and Hot Re-Start.
- Up to 15 years Maintenance free operation.
- 10 Year Warranty on complete fixture. (LED's, Driver, & Housing)
- **Optional:** 0-10V Dimming, Bi-Level Dimming, Wi-Fi Control, Remote Monitoring and ON/ OFF Control, DC 24V Operation - Solar Compatible

ORDERING INFORMATION

Sample Number: LED-89120-M3-UNV-0-10VDIM-850-LD-T2-GRY
Custom options and accessories available. Please consult factory

Series	Wattage	Voltage	Options	Color Temp	Accessories	Optics	Color
LED-89 = Modular Street Light	120-M3 = 120 W 130-M3 = 130 W 140-M3 = 140 W 150-M3 = 150 W 165-M3 = 165 W	UNV = 120-277 VAC 347V = 347 VAC 480V = 480 VAC 24VDC = 24 VDC	0-10VDIM = 0-10V Dimming BL-DIM = Bi-Level Dimming * * Includes Motion Sensor * Contact factory for dimming options	835 = 3500°K 841 = 4100°K 850 = 5000°K * * Standard	LD = NEMA Photocell MD = Motion Sensor ON/OFF LGN = Light Genie Node ** ** Contact factory for product information	T2 = Type 2 Distribution T2N = Type 2 Narrow Distribution	GRY = Grey BRZ = Bronze * Custom Colors Available



lightinnovations@work™



Southern Electronics (Bangalore) Pvt. Ltd.

16-A, Phase 1, Peenya Industrial Area, Bangalore - 560 058, India

Ph: +91 80 39280341/42/45/46/49 Fax: +91 80 39280365

Website: www.seonics.co.in Email:southern@vsnl.com

PRODUCT INFORMATION

Model No.	Description	Rated Watts	Input Watts	Initial Lumens	Universal Line Voltage (VAC)	Max Line Current (Amp) 120 - 277	THD	Power Factor	Weight
LED-89120-M3-UNV	LED Roadway Fixture	120	122	12,000	120-277	1.05 - 0.45	<20%	>0.90	30 lbs
LED-89130-M3-UNV	LED Roadway Fixture	130	132	13,000	120-277	1.13 - 0.49	<20%	>0.90	30 lbs
LED-89140-M3-UNV	LED Roadway Fixture	140	142	14,000	120-277	1.22 - 0.53	<20%	>0.90	30 lbs
LED-89150-M3-UNV	LED Roadway Fixture	150	152	15,000	120-277	1.31 - 0.56	<20%	>0.90	30 lbs
LED-89165-M3-UNV	LED Roadway Fixture	165	167	16,500	120-277	1.44 - 0.62	<20%	>0.90	30 lbs

SPECIFICATIONS

- Driver Constant Current
- Start Method InstantON
- Hot Re-start InstantON
- Power Supply 350mA
- Driver UL Rating Class 1
- Driver UL Outdoor Rated Wet Location
- Sound Rating Class A
- ANSI Surge Protection IEEE C62.41 C High
- Current Crest Factor 1.5 maximum
- Load Regulation: 5% output current variation across load range
- Line Regulation: 1% output voltage variation across voltage range
- Driver Off-State Draw 0 Watts
- Vibration Compliance 3G
- Universal Input Line Voltage 120-277 VAC
- Input Line Frequency 50/60 Hz
- LED / Driver System Life 75,000 Hrs.

- Lumen Maintenance @50,000Hrs > 70%
- Color Temperature 5,000°K
- Color Rendering Index (CRI) > 80
- Minimum Starting Temperature -40°C
- Maximum Starting Temperature +50°C
- Lumens per Watt > 90
- Shock / Vibration Resistant Yes
- Power Factor > 0.90
- Total Harmonic Distortion < 20%
- Inrush Current Peak < 10 Amp
- FCC Compliance Part 15, Subp. C
- EPA Rating 0.63 ft.²
- Housing IP Rating IP65
- Driver IP Rating IP67
- Optics IP Rating IP68
- Warranty 10 Year

MOUNTING OPTIONS

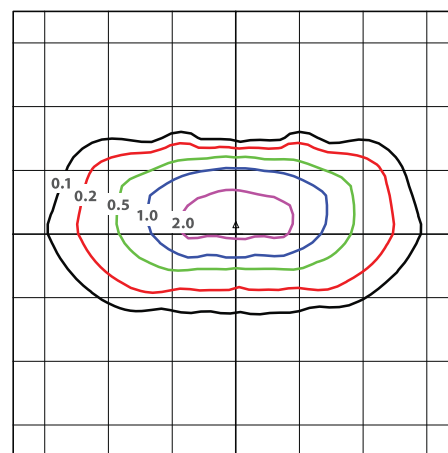
Accepts 1-1/4" - 2-3/4" O.D.
Tenon or Pipe



(2) Mounting Clamps
(4) Stainless Steel Fastening Bolts

Tool-Less Entry
Latch

PHOTOMETRICS (See Complete IES File)



Horizontal Footcandles
Scale: 1 Hash = 40 Ft.
Light Loss Factor = 1.00
Total Lamp Lumens = 16767.8
Mounting Height = 30.00 Ft., Tilt = 5 Degrees
Maximum Calculated Value = 2.73 Fc
Arrangement: Single

NEPTUN LIGHT, INC.
LED-89165-M3-UNV-850-T2

